

INSTALLATION INSTRUCTIONS

Adapter for HTEK 277V lighting track system HTEK100

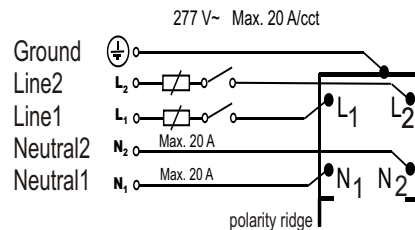
IMPORTANT SAFETY INSTRUCTIONS

When installing or using this track system, basic safety precautions should always be followed, including the following :

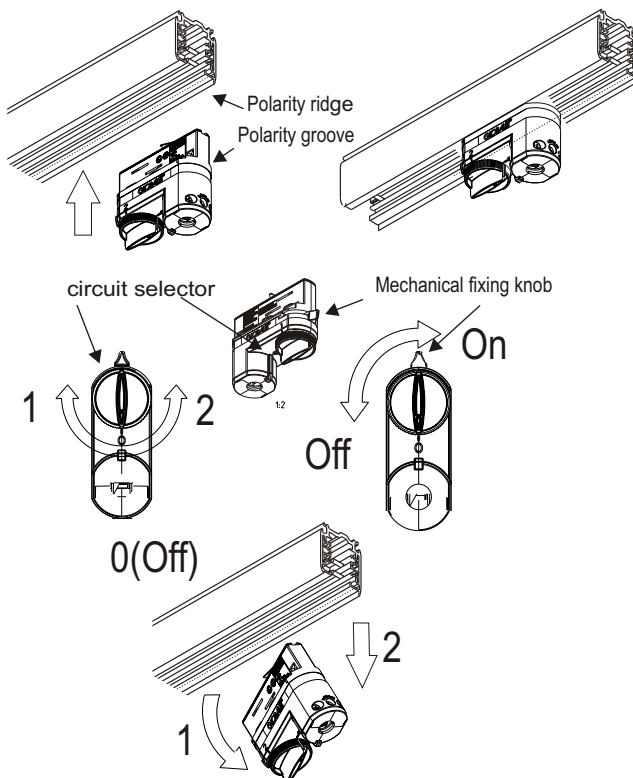
1. Read all of these installation instructions before installing the GLOBAL Htek 277V lighting track system
2. The GLOBAL Htek 277V track system is intended for use only with GLOBAL Htek components and fixtures marked for use with GLOBAL Htek system. To reduce risk of fire and electric shock, do not use other components as part of this system.
3. Track installation is to only be performed by a certified electrician in accordance with the National Electrical Code and all local codes and ordinances.
4. The GLOBAL Htek system is designed to be fed by two branch circuits rated 277VAC, 20A, eg. the system is a two-circuit / two-neutral track and care must be taken to keep circuits designated as circuit1 and circuit2 separate.
5. Do not install the track in damp or wet locations.
6. Do not install any parts of the track system less than 8 ft above the floor.
7. Do not install any fixtures closer than six inches from combustible materials.
8. Do not use this track with a power supply cord or convenience receptacle adapter.
9. Do not install the track with electric power connected. Similarly, disconnect electricity when installing or removing fixtures or components or changing the configuration of the Track.
10. Do not attempt to energize anything other than Lighting Track Fixtures on the track. To Reduce the risk of fire and electrical shock, do not attempt to connect power tools, Extension cords, appliances and the like to the track.
11. Do not use any lubricants, solvents, solvents or cleaning solutions as they may impair the strength of the product
12. Do not slide the adapter on the track
13. Terminal screws tightening moment 0,4 - 0,8 Nm

HTEK100 properties:

2-circuit 277V, with independent neutrals
Switchable between circuits 1,2 & on/off
Includes nipple rotation lock.
Max. 20lbs (100N)
Max 277V/60Hz

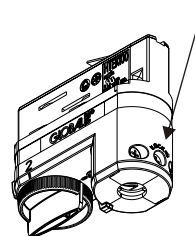


ELECTRICAL CONNECTION HTEK100 ADAPTER



1. The fixture adapter is inserted with the polarity groove towards to the polarity ridge on the track
2. Push the adapter into the track till it snaps into place.
3. Turn the mechanical fixing knob clockwise.
4. Select the desired circuit with the circuit selector knob (1-0-2).
5. To remove the adapter from track, select 0-position (OFF) before turning the mechanical fixing knob counterclockwise. Pull first from fixing knob end.

rotation lock screw, (do not overtight)



HTEK100

Nipple for HTEK 100 :



HTEK 61
rotating
NSPM1/8"-27

SAVE THESE INSTRUCTIONS AND REFER TO THEM WHEN ADDITIONS TO OR CHANGES IN THE TRACK CONFIGURATION ARE MADE