

INSTALLATION INSTRUCTIONS

GES 11CB LIVE END FEED WITH CIRCUIT BREAKERS

GES 12CB LIVE END FEED WITH CIRCUIT BREAKERS (Mirror image)

FOR USE WITH GLOBAL eco SYSTEM ONLY

UPON RECEIPT OF MERCHANDISE: Thoroughly inspect for any freight damage, which should be brought to the attention of the carrier. Compare the catalog description listed with the track or accessory label on the merchandise to be sure you have received the correct merchandise.

GES 11CB (GES 12CB) consists of:

- Body with circuit breaker(s) and track feeding module(s);
- Canopy
- security torx screws for canopy fastening

GES11 CB and GES 12CB may be used only with GES Track

1. Place Feed metal body plate at desired location.
2. Match the polarity lines on the track and connectors as shown in Figures 1 and 2.
3. Insert the connector into the track.
4. Tighten the lock screws on the connector until secure.
5. Install dead end to any end of track. Tighten all dead ends securely to the track.
6. Make proper electrical connections. Connect as follows:
As shown in Figure 2
 - Colored wire (Circuit 1) to black wire/L terminal.
 - White wire (Neutral 1) to white wire/N terminal.
 - Ground wire to green wire /ground terminal \perp
 refer to Installation Instruction included with feedable connector for proper electrical connections.
7. Locate canopy over the outlet box and feed connector. To secure, run the retaining screws through the corner holes in the canopy and into the steel body.

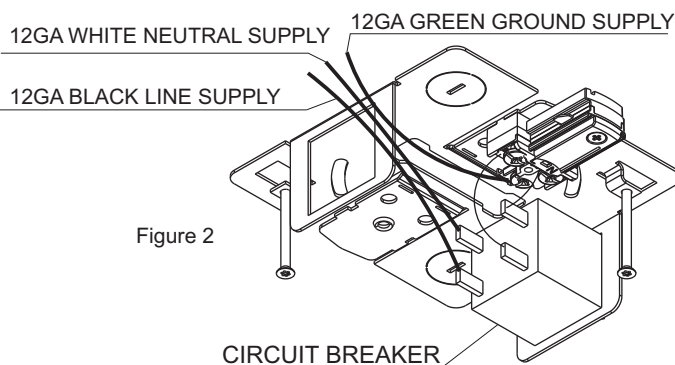
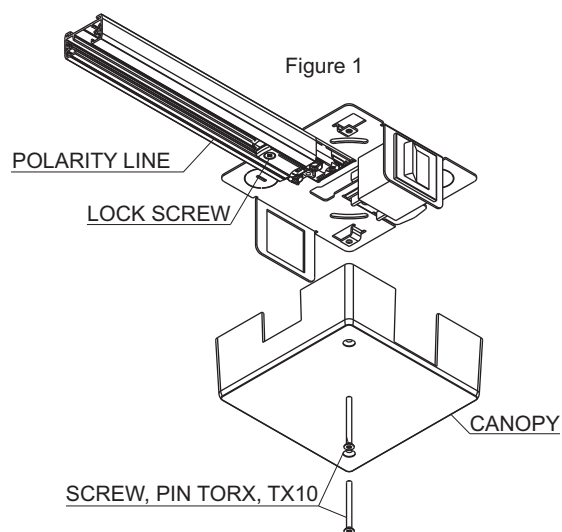
IMPORTANT SAFETY INFORMATION

Read all instructions before installation

1. The GLOBAL eco system is intended for use with GLOBAL eco components and fixtures marked for use with the GLOBAL eco system. To reduce the risk of fire and electric shock, do not use other components as part of this system.
2. Track installation is only to be performed by a certified electrician in accordance with the National Electrical Code and all local codes and standards.
3. The GLOBAL eco GES track system is designed to be supplied by a single 120 volt branch circuit with a maximum capacity of 20 amps. The two circuit GLOBAL eco GET system is to be supplied by a balanced 120/240 volt, three-wire branch circuit with a maximum capacity of 40 amps.
4. Do not use this track with a power supply cord or convenience receptacle adapter.
5. Do not install any fixtures closer than six inches from combustible materials.
6. Do not install the track in damp or wet locations.
7. Do not install the track with electric power connected. Similarly, disconnect electricity when installing or removing fixtures or components or changing the configuration of the track.
8. Do not attach anything other than UL listed lighting fixtures marked for use with Nordic Aluminium GLOBAL eco system only to the track.

IMPORTANT

SAVE THESE INSTRUCTIONS FOR FUTURE REFERENCE WHEN ADDING FIXTURES OR CHANGING THE TRACK CONFIGURATION



NORDIC ALUMINIUM